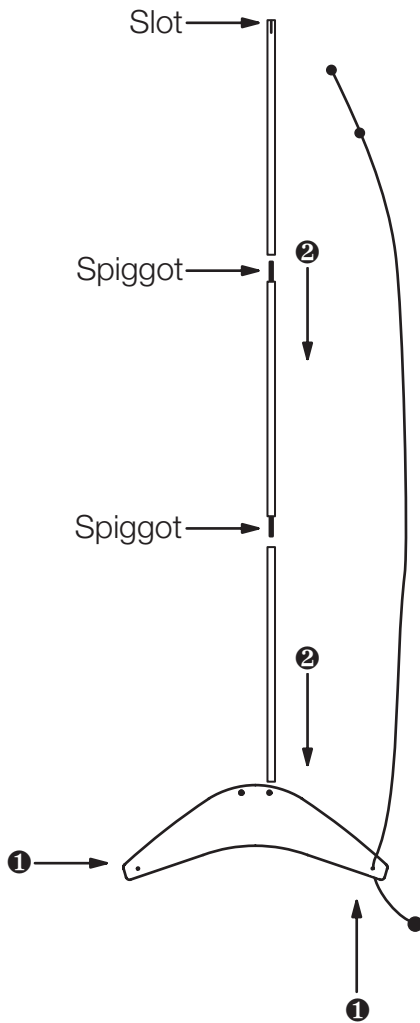


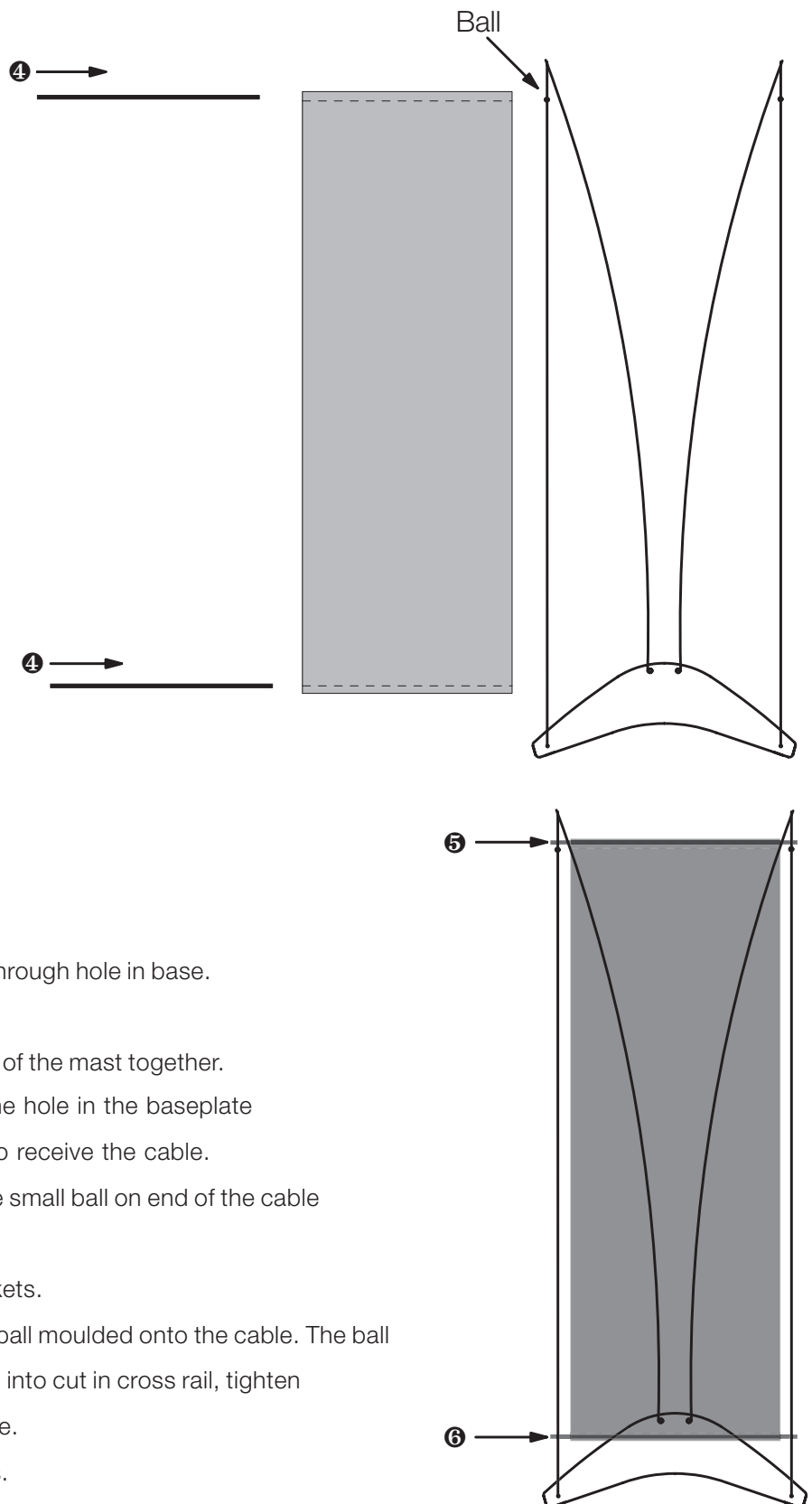
Assembly - Standard D4.6 / D4.8

Around three minutes

Assemble frame



Attach banner graphic

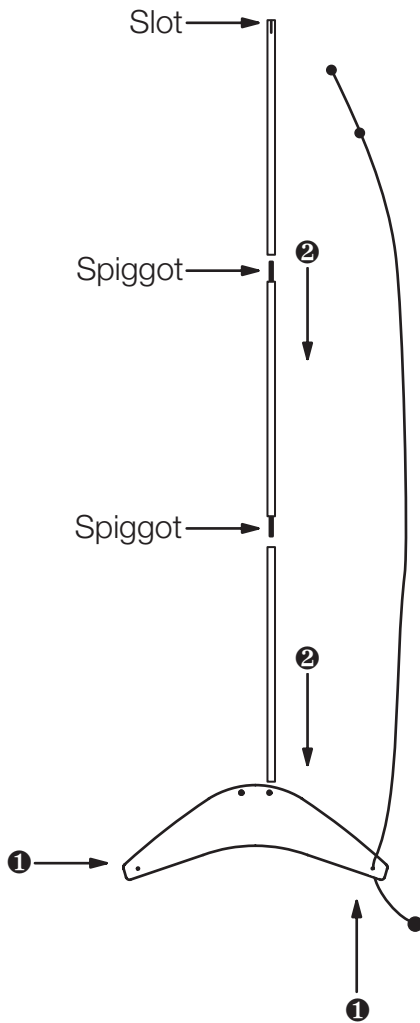


1. Pass end of cable with small ball up through hole in base.
2. Assemble mast
The elastic will pull the three sections of the mast together.
Insert the bottom of the mast into the hole in the baseplate
The top of the mast has a keyhole to receive the cable.
3. Gently pull the mast forward and slide small ball on end of the cable into the keyhole.
4. Insert cross rails into the banner pockets.
5. Attach cross rail to cables above the ball moulded onto the cable. The ball ensures the banner is level. Slot cable into cut in cross rail, tighten thumbscrew to secure banner to cable.
6. Attach bottom cross rail to the cables.

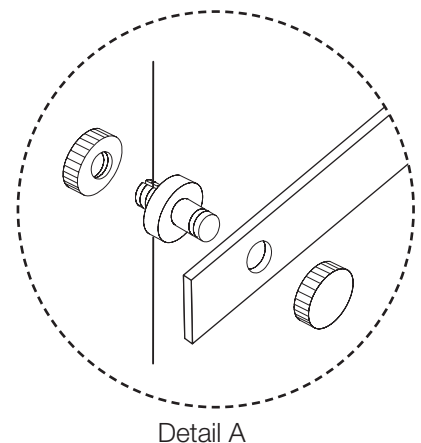
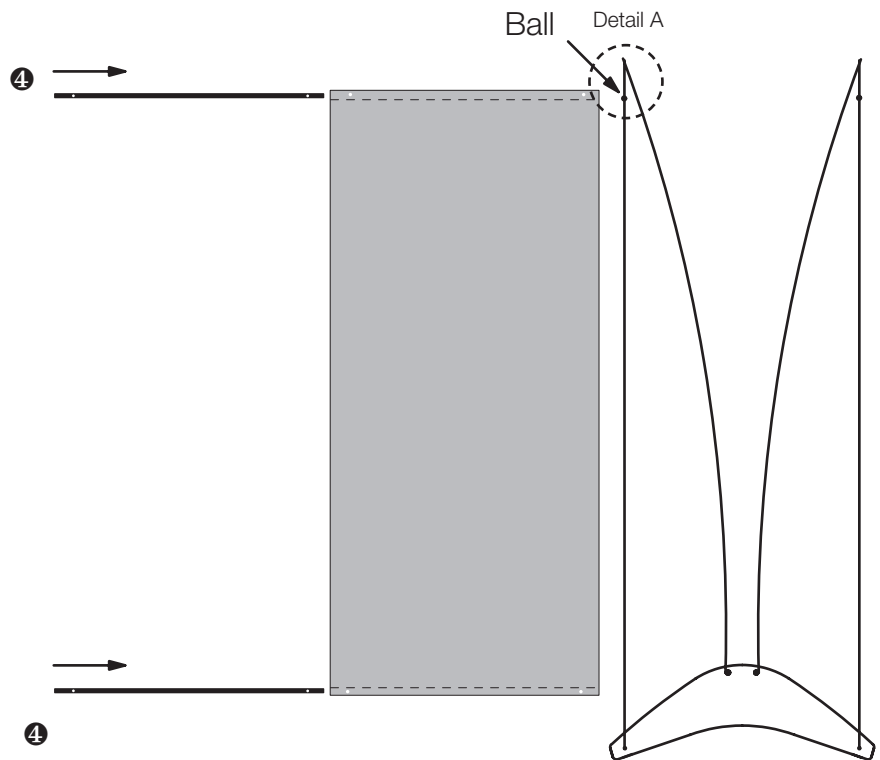
Assembly - D4 Wide & Curved

Around five minutes

Assemble frame



Attach banner graphic



1. Pass end of cable with small ball up through hole in base.
2. Assemble mast
The elastic will pull the three sections of the mast together.
Insert the bottom of the mast into the hole in the baseplate
The top of the mast has a keyhole to receive the cable end.
3. Gently pull the mast forward and slide ball into keyhole.
4. Insert flat battens into the banner pockets so the holes in each line up.
5. Attach two cable fixings above the balls on each cable. The ball ensures the banner is level.
6. Remove the front thumb screws from the cable fixings and attach the banner by placing it on to the spigots and screwing the thumb screws back on. It may be easier to lay the display on its back for these last two instructions if you are not tall enough to reach the leveling guide.
7. Repeat the fixing details for the bottom batten.

Assembly - Linked D4's

Around ten minutes

Linked Graphic

Assemble two standard D4 units as normal.

Use a linking cross tie to position the D4 units the correct distance apart.

Then insert a cross tie into the top pocket of the linking banner.

Attach the linking banner above the side banners and gently unroll downwards. Depending on the size of display purchased you may have to stand on something to do this.

Insert the remaining cross tie into the bottom pocket of the linking banner and attach to cables below the side banners.

Lighting

Attach the cross tie which carries the light units above the linking cross tie.

Clip the cables to the masts.

Attach the bulb to the forks and then insert the forks into the aluminium block on the cross tie.

Plug in the lights and adjust the position to suit your graphics. Be careful with the bulb, as it gets hot.

